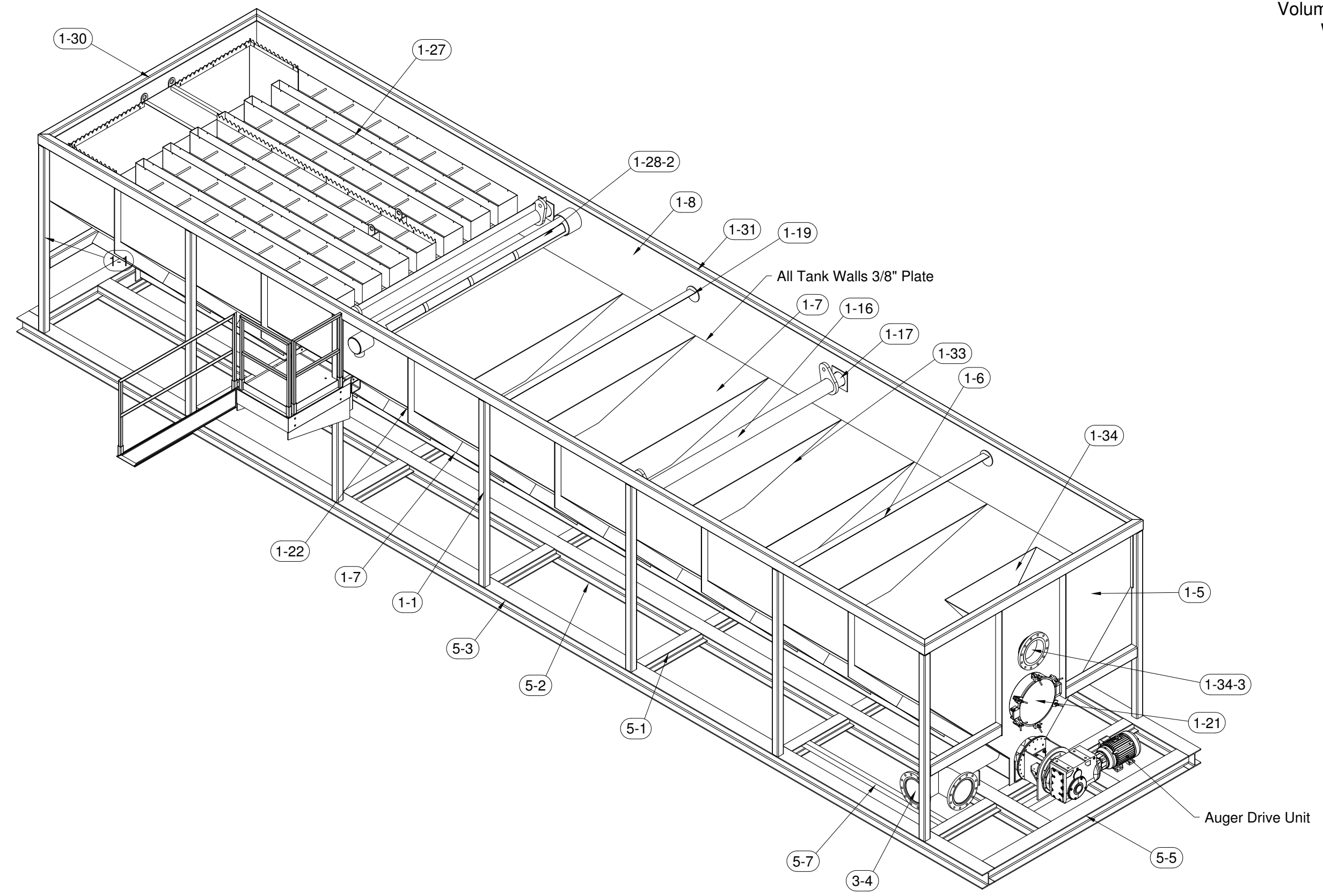


Volume = 22,300 gallons  
Weight - 46,170 lbs



Plot Date: Wednesday, April 13, 2016 1:38:56 PM


NOTICE: The information contained herein is the property of DEL Tank & Filtration Systems and is given on the distinct understanding that it shall not be disclosed, loaned, copied, nor otherwise used by any third parties without express written consent of DEL Tank & Filtration Systems.

REV.	DATE	DRN.	CHKD.	APPR.	CLIENT APPR.	DESCRIPTION	Job No.	Dwg. No.	22000 Gallon Thickener.dwg	Sheet of
5										
4										
3										
2										
1										

Date	Signature	Title
4/12/16	J Rhymes	22000 Gallon Thickener Cover
4/13/16		

 A Division of DEL Corporation 1-800-498-2657		Rev.
--	--	------